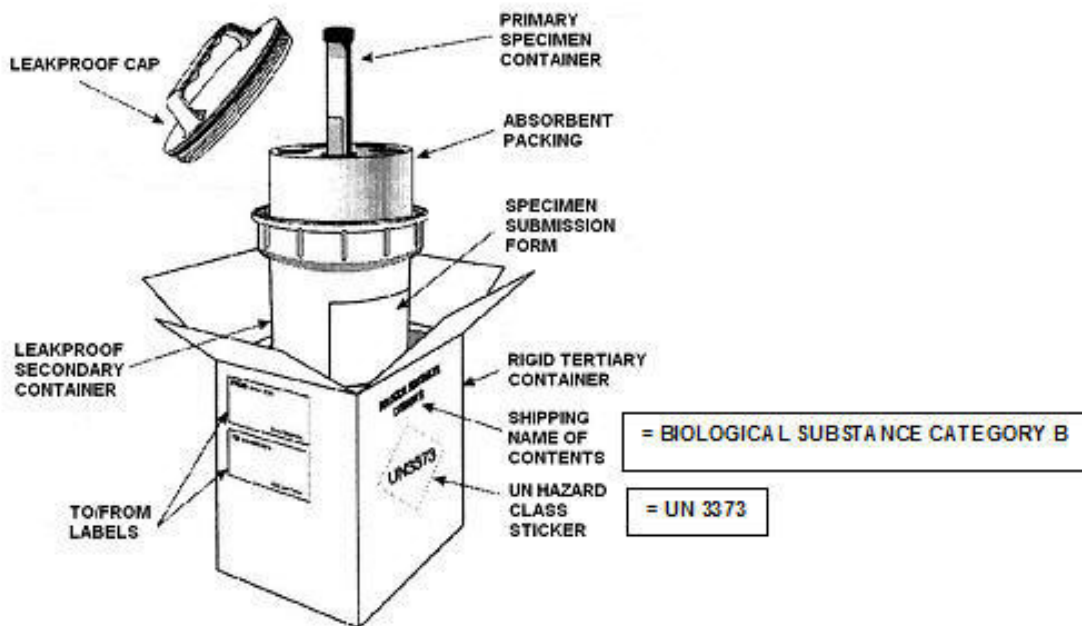




NB: SEND SPECIMENS BY COURIER OR VIA OTHER LABORATORY SERVICES, NOT BY POST WHICH IS ILLEGAL AND RESULTS IN DELAYS THAT RENDER SPECIMENS UNSUITABLE FOR TESTING.

PACKAGING FOR TRANSPORT OF BIOLOGICAL SUBSTANCES, v9

Commercially available biosafety packaging e.g. Aulax (RSA), Saf T Pak (Canada) that conforms with IATA Regulations



Example of Improvised Biosafety packaging

